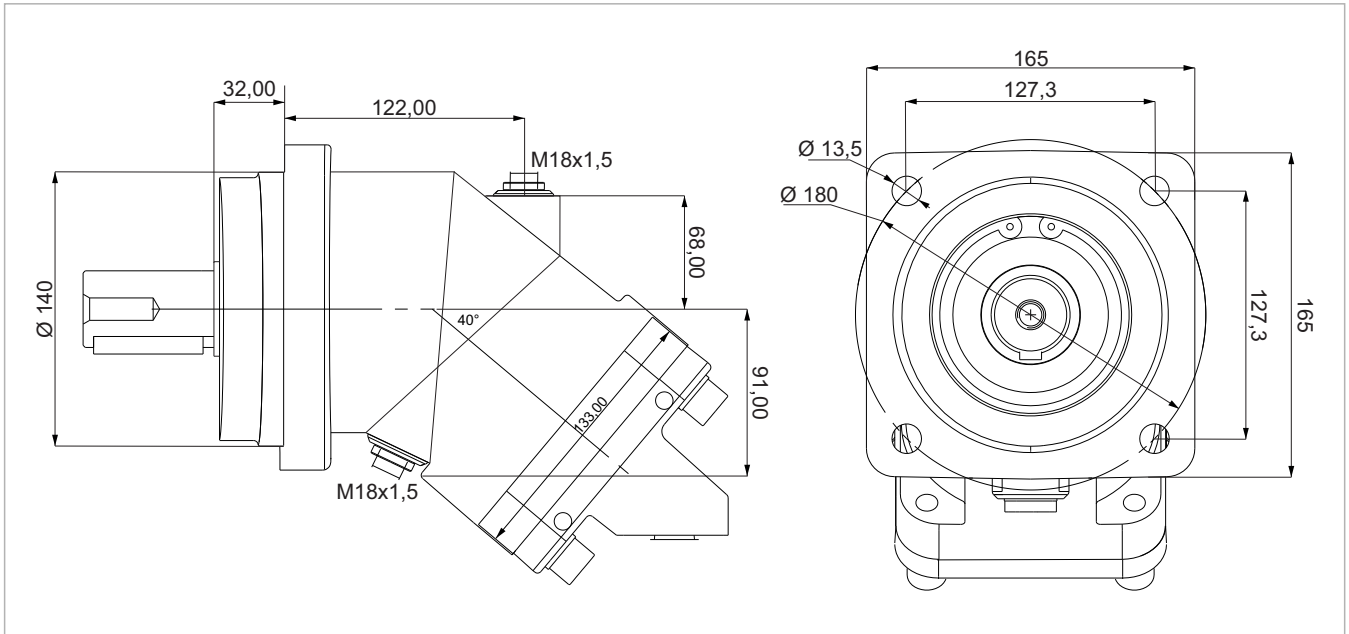
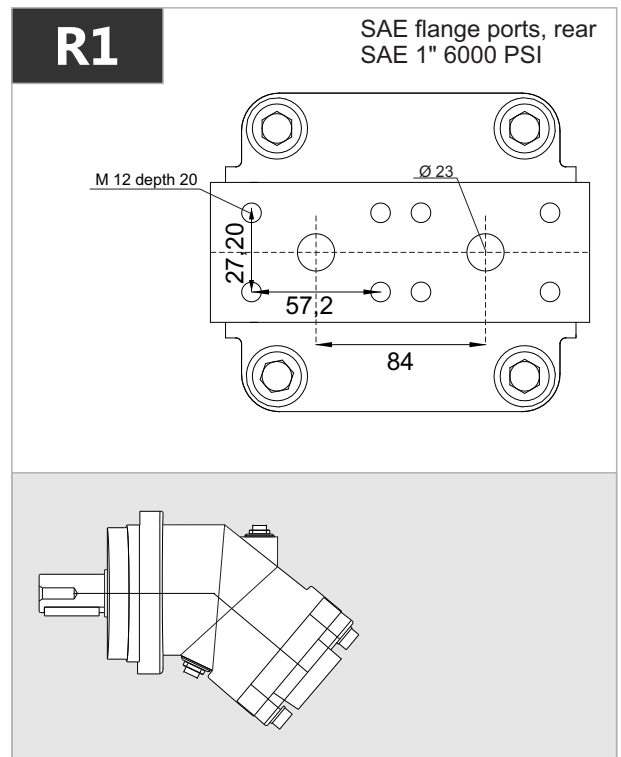
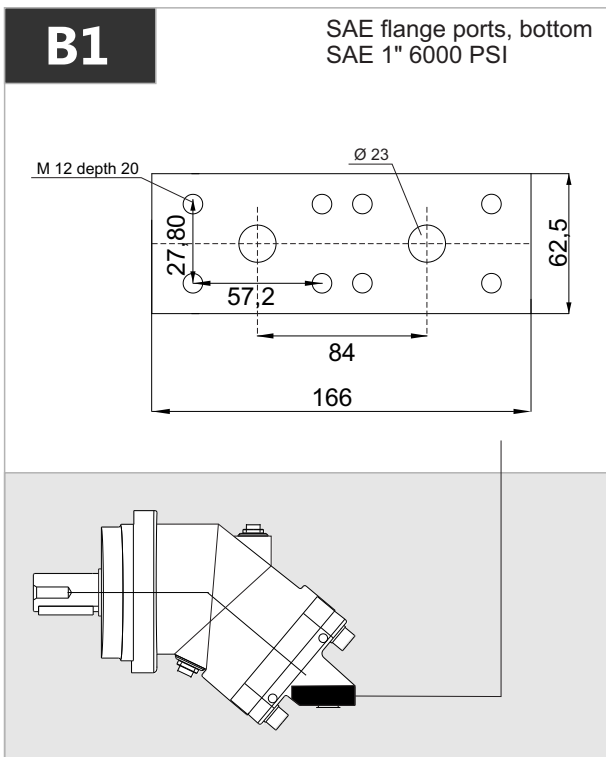


2PM 130



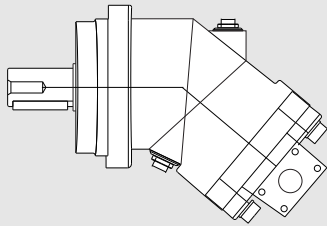
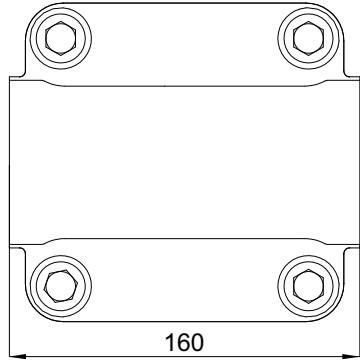
x 1000 rpm	x 1500 rpm	Max. Contin. Pump Speed	Max. Intermit. Pump Speed	Max. Contin. Pressure	Max. Peak Pressure	Torque bar	Torque at 350 bar	Max. Flow	Weight without accessor.	Weight with accessor.	Max. Motor Temp.	Min. Motor Temp.
130,0 cc	195,0 cc	3400 rpm	4400 rpm	400 bar	450 bar	2.10 m.N/bar	710 m.N	442	35,00 kg	35,50 kg	-25°	110°



2PM 130

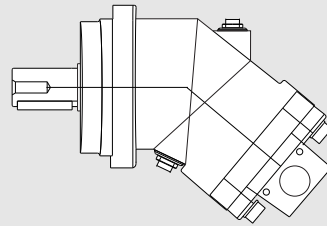
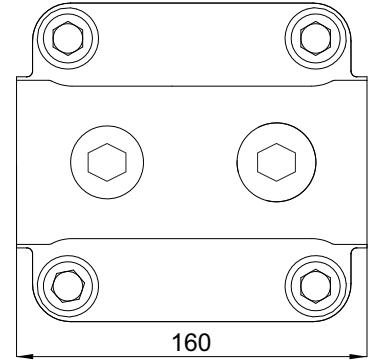
D1-D2

SAE flange ports, side
SAE 1" 6000 PSI



D3

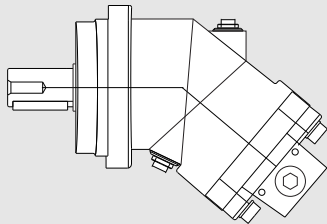
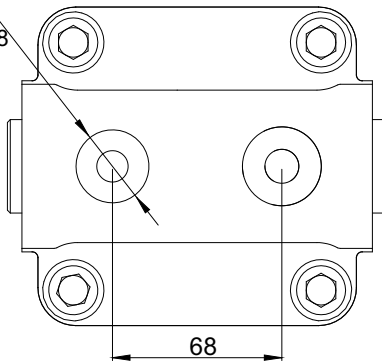
Side threaded ports



R2

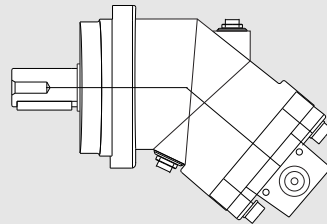
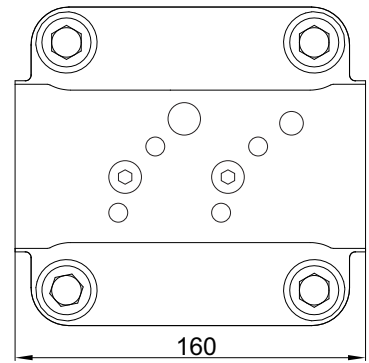
Rear threaded ports

M33x2 depth 18



D4

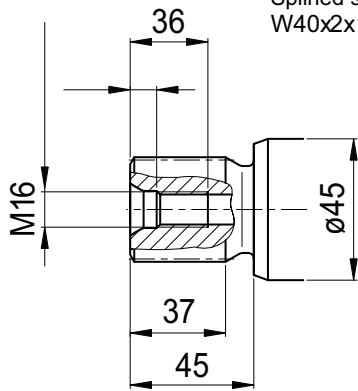
Side threaded ports



2PM 130

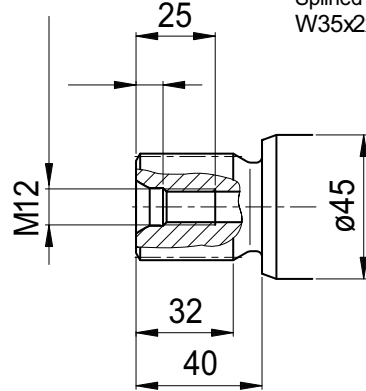
S1

Splined shaft DIN 5480
W40x2x18x9g



S2

Splined shaft DIN 5480
W35x2x16x9g



K1

Parallel keyed shaft
DIN 6885, As12x8x56

Key
width 12

